



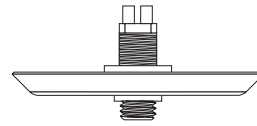
1718 W. Fullerton Chicago, IL 60614  
 Ph: 773.770.1195 • Fax: 773.935.5613  
 www.PureEdgeLighting.com • info@PureEdgeLighting.com  
 © 2016 PureEdge Lighting. All Rights Reserved.

# Installation Instructions for 2" Round Fast Jack 24V Canopy, Power and Remote Power

FJ24-\_\_-\_\_

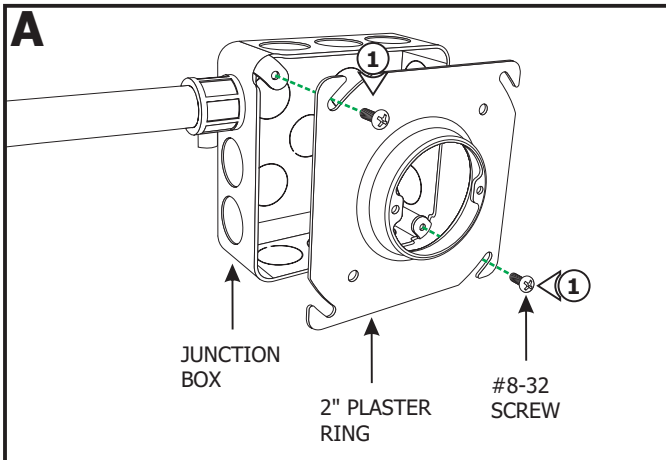
## IMPORTANT INFORMATION

- This product is ETL listed for indoor dry locations.
- The product is installed to a 4" electrical box or to an octagon electrical box using the 2" plaster ring provided.
- Minimum electrical box volume must be 6 cubic inches (98 cubic centimeters).
- For dimming information visit [www.PureEdgeLighting.com](http://www.PureEdgeLighting.com).



**SAVE THESE INSTRUCTIONS!**

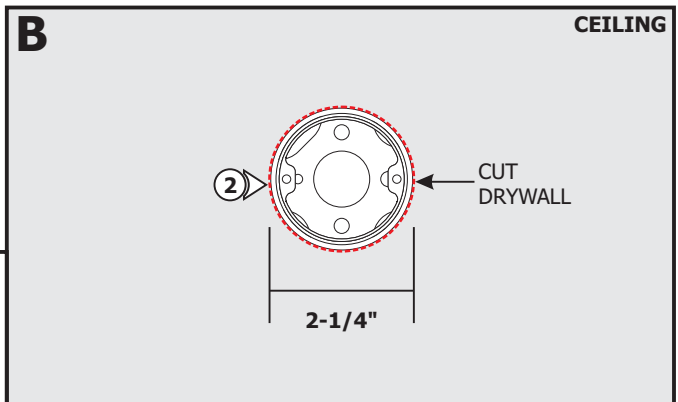
## Section One: Install the 2" Plaster Ring



**NOTE:** Junction box must be mounted to allow clearance of 1/2" between the face of the junction box and the drywall surface.

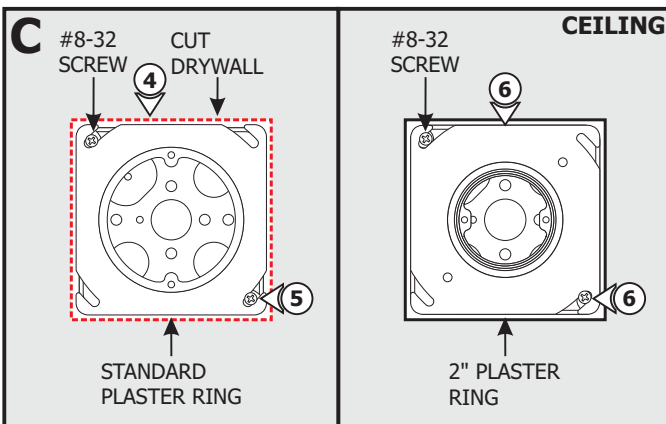
### For New Construction:

- 1: Install the 2" plaster ring to the junction box using two #8-32 screws.



- 2: Use a circular saw to cut out the drywall section where the plaster ring is located.

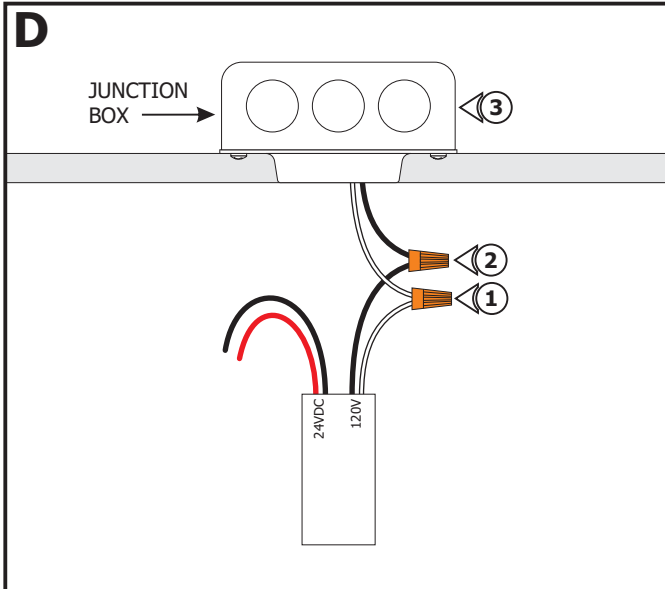
- 3: Install the drywall. If necessary plaster, and finish the drywall.



### For Remodeling:

- 4: Cut away the drywall where the junction box is located.
- 5: Uninstall the existing plaster ring by removing the #8-32 screws.
- 6: Install the 2" Plaster Ring to the junction box using two #8-32 screws.
- 7: Plaster and finish around the junction box opening.

## Section Two: Install the Canopy

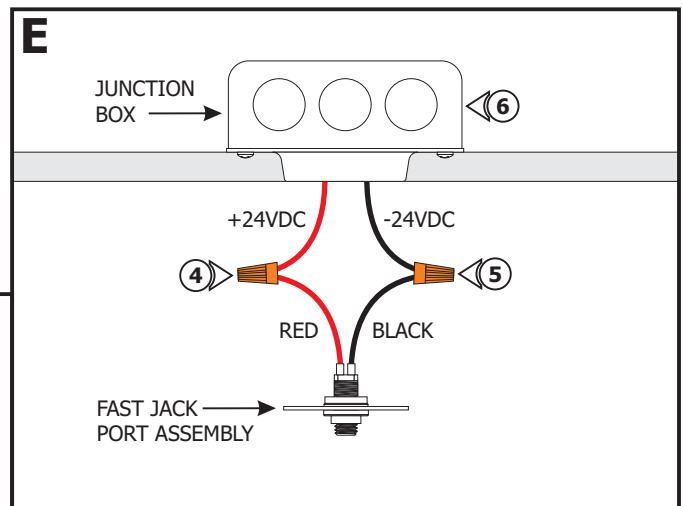


**NOTE:** Omit steps 1 through 3 if using remote power supply.

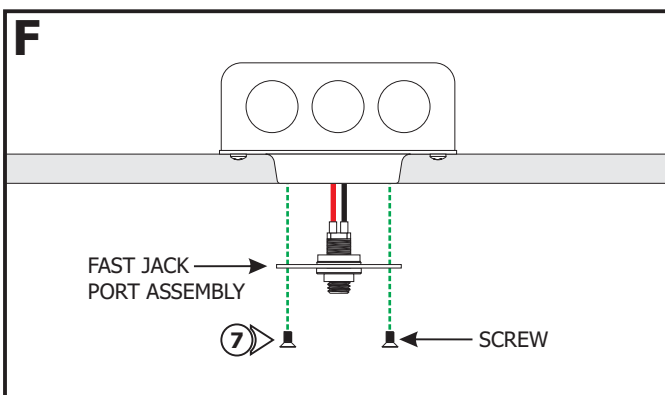
**NOTE:** Remote power supply must be installed within 40ft of junction box. Ensure remote power supply wires are present in the junction box. Refer to the instructions provided with the power supply.

- 1: Connect the 120V white power supply wire to the neutral power wire using a wire nut.
- 2: Connect the 120V black power supply wire to the hot power wire using a wire nut.
- 3: Place the power supply and all wire nut connections inside the junction box.

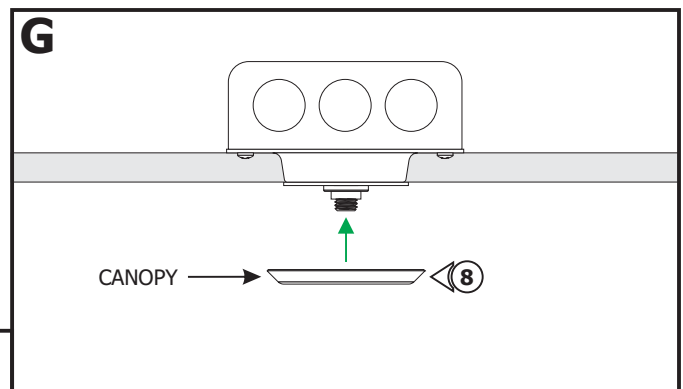
- 4: Connect the red wire of the Fast Jack Port assembly to the +24VDC power supply wire using a wire nut.
- 5: Connect the black wire of the Fast Jack Port assembly to the -24VDC power supply wire using a wire nut.
- 6: Place all wire nut connections inside the junction box.

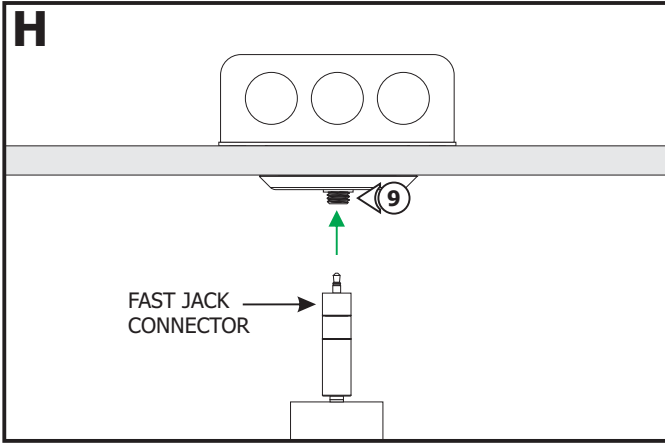


- 7: Mount the Fast Jack Port assembly to the 2" plaster ring using two #6-32 screws.



- 8: Place the canopy over the Fast Jack Port assembly. The magnets on the back will keep the canopy in place.



**H**

**CAUTION: Risk of Fire:** Do not load the port greater than **60W**.

**9:** Use fingers to tighten the Fast Jack fixture connector into the Fast Jack canopy port.

## General Wiring for Remote Power

