



1718 W. Fullerton Chicago, IL 60614
 Ph: 773.770.1195 • Fax: 773.935.5613
 www.PureEdgeLighting.com • info@PureEdgeLighting.com
 © 2016 PureEdge Lighting. All Rights Reserved.

Installation Instructions for Cirrus Suspension Adjustable & Power T-Bar Clips

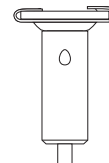
CS-TBAR-_____

IMPORTANT INFORMATION

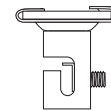
- This product is ETL listed for indoor dry location.
- This accessory should be used with PureEdge Lighting Cirrus Channel Suspension.
- The T-Bar clip fits on 9/16" and 15/16" T-Bar grids.

SAVE THESE INSTRUCTIONS!

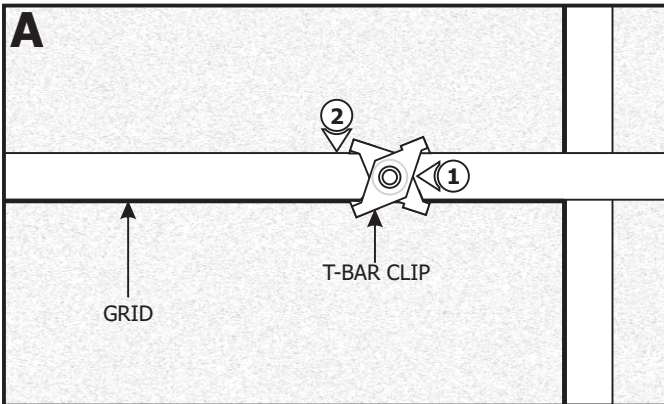
ADJUSTABLE T-BAR CLIP



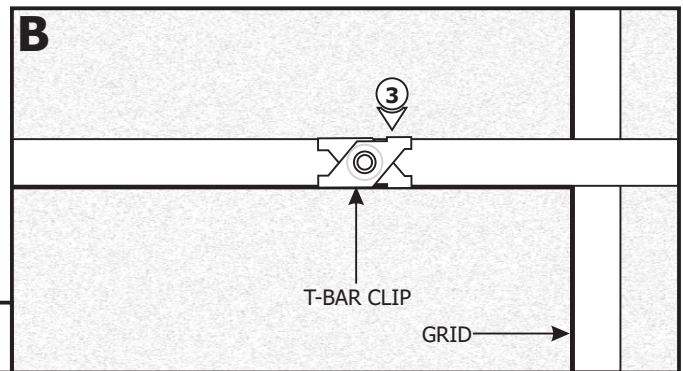
ADJUSTABLE POWER T-BAR CLIP



Section One: Install the T-Bar Clip

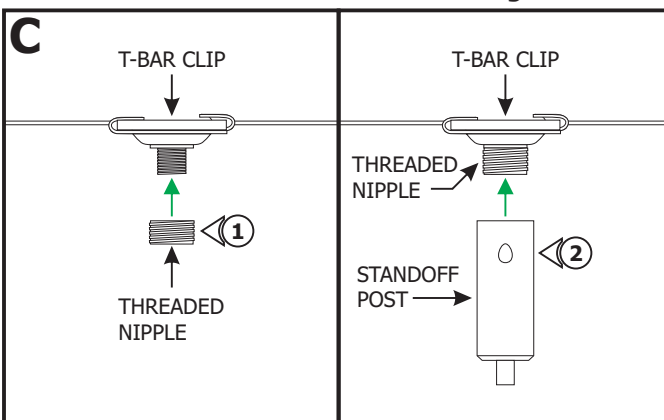


- 1: Open the T-Bar clip arms to fit over the grid.
- 2: Select the location on the grids where the power cable and cable supports will be mounted.

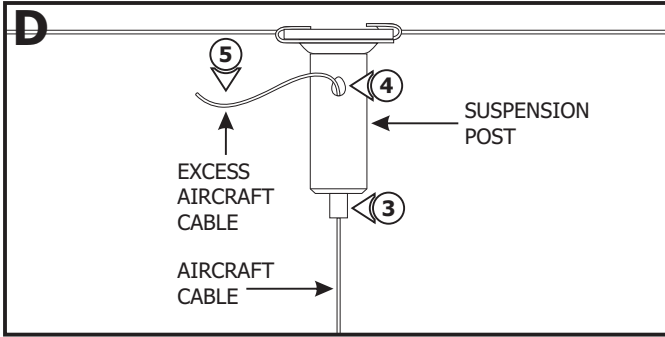


- 3: Place the T-Bar clip onto the grid by squeezing the arms together.

Section Two: Install the Adjustable T-Bar Clip

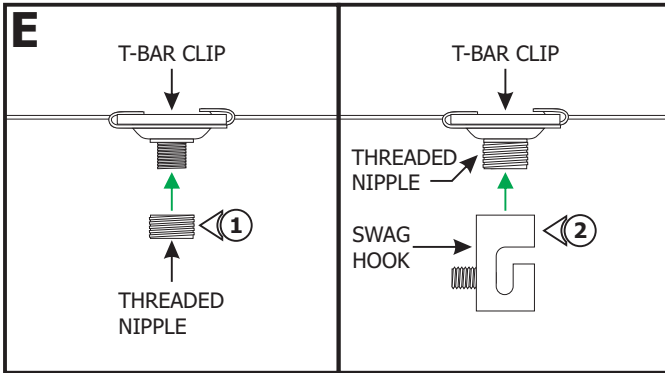


- 1: Tighten the threaded nipple to the T-Bar clip.
- 2: Tighten the standoff post completely onto the threaded nipple.



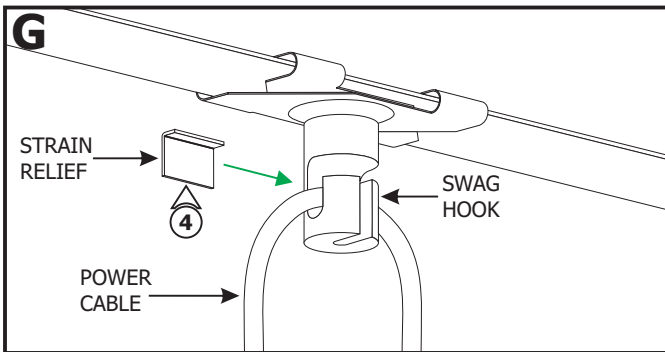
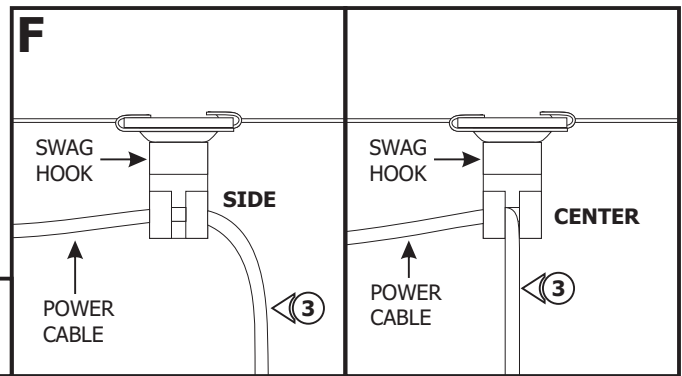
- 3:** Feed the aircraft cable coming from the fixture through the standoff post.
- 4:** Adjust the fixture height by pushing the tab and pulling the aircraft cable out of the side of the standoff post. Release the tab to secure the cable in place.
- 5:** If necessary, trim excess aircraft cable using sharp cutters.
- 6:** Refer to the instructions provided with the fixture to complete installation.

Section Three: Install the Adjustable Power T-Bar Clip



- Adjustable Power T-Bar Clip:**
- 1:** Tighten the threaded nipple to the T-Bar clip.
 - 2:** Tighten the swag hook completely onto the threaded nipple.

- 3:** Slide the power coaxial cable coming from the fixture into the swag hook through the side opening or the center opening.



- 4:** Insert the strain relief into the swag hook behind the cable.

- 5:** Tighten the M4 set screw snugly with the 2mm Allen wrench provided to hold the cable in place.
- 6:** Refer to the instructions provided with the fixture to complete installation.

