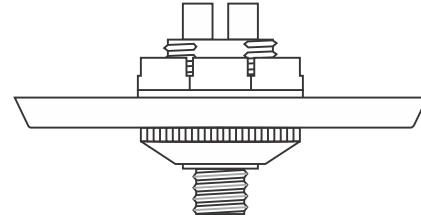


## Installation Instructions for 2" Round & Square Fast Jack For Remote Transformer

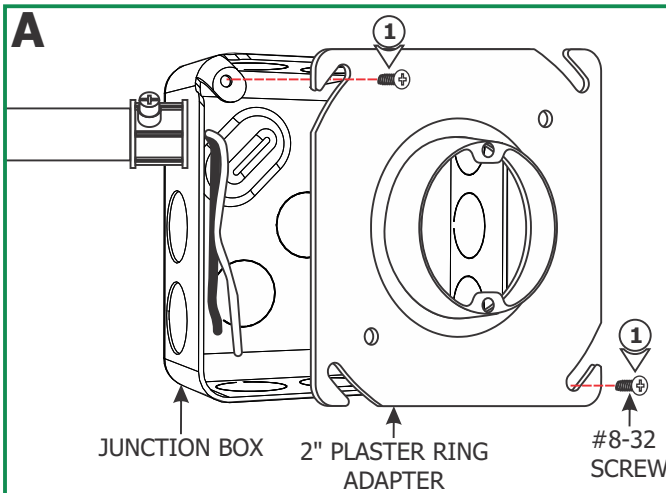
### IMPORTANT INFORMATION

- This product is ETL listed for indoor dry locations.
- This product mounts to a 4" standard electrical box or octagon electrical box using the 2" plaster ring provided.
- A remote transformer should be installed prior to beginning this installation.

**SAVE THESE INSTRUCTIONS!**



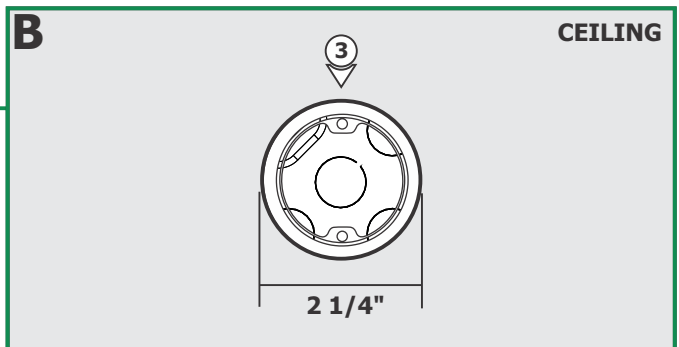
### Install 2" Plaster Ring Adapter (New Construction)



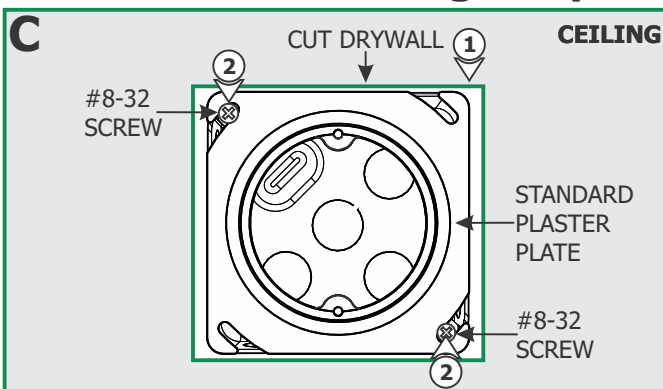
**NOTE:** Junction box must be mounted to allow clearance of 1/2" between the face of the junction box and the drywall surface.

- 1:** Install the 2" Plaster Ring Adapter to the junction box using two #8-32 screws.

- 2:** Use a circular saw to cut out the drywall section where the junction box opening is.
- 3:** Install the drywall. If necessary, plaster and finish the drywall.
- 4:** Complete installation per "Install Fast Jack Port" section on Page 2.

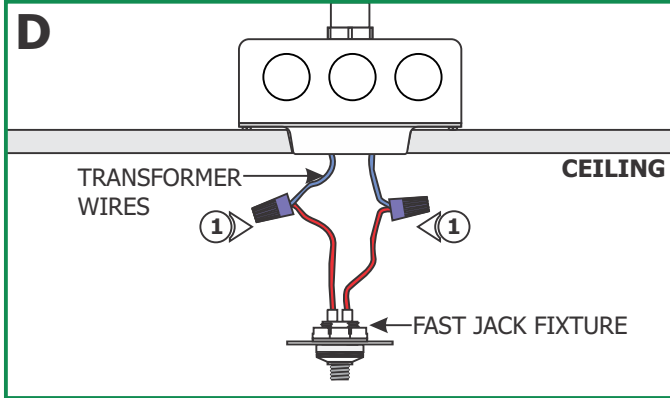


### Install 2" Plaster Ring Adapter (Remodel)



- 1:** Cut away the drywall where the junction box is located.
- 2:** Remove the plaster ring by removing the #8-32 screws.
- 3:** Install the 2" Plaster Ring to the junction box using two #8-32 screws.
- 4:** Plaster and finish around the junction box opening.
- 5:** Complete installation by following steps in "Install Fast Jack Port" section on Page 2.

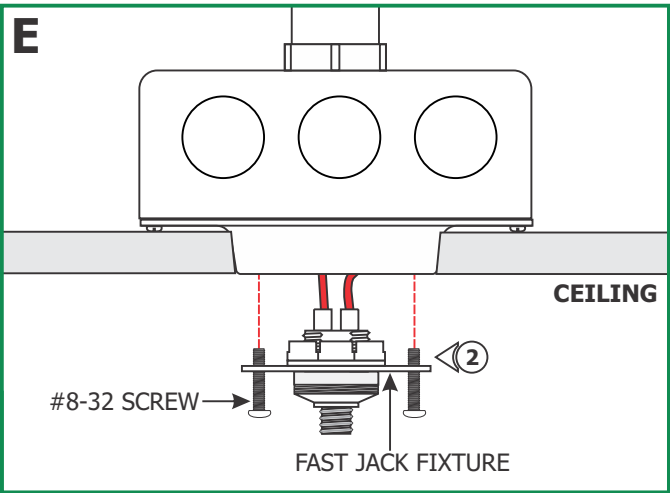
# Install Fast Jack Port



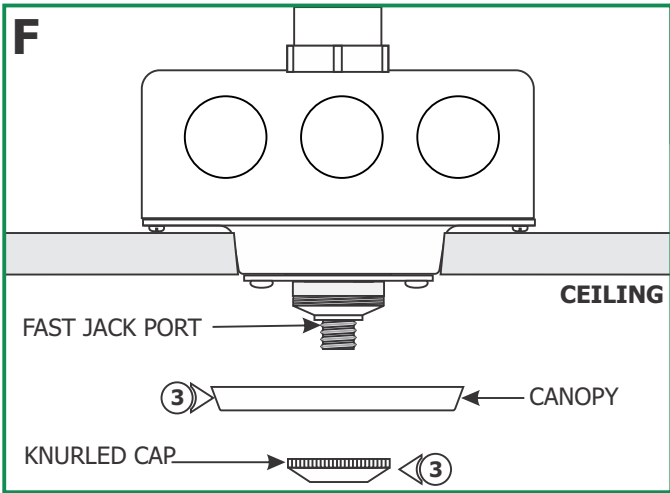
**NOTE:** Ensure that power supply wires from remote transformer are present in junction box before continuing.

**1:** Connect each remote transformer wire to one Fast Jack fixture wire with a wire nut.

**2:** Place all wire and wire nut connections properly inside the junction box. Mount the Fast Jack port to the 2" Plaster Ring using two #8-32 screws provided.



**3:** Place the canopy onto the Fast Jack port against drywall and secure it in place by tightening the knurled cap to the Fast Jack port. **Make sure the knurled cap is not cross**



**4:** Use fingers to tighten the Fast Jack fixture connector into the Fast Jack port.

